

Specifications:

- Posts and header are 5.5" x 5.5" locust or white oak with 1/4" chamfer throughout
 - Lower tie beam is mortice and tenon curved Cherry
- Brackets are made of stainless or powder coated steel
 - Principal timber joints secured with white oak pegs

Design:

- TimberHomes can facilitate contact with a graphic designer and sign maker, or work with yours. TimberHomes does not fabricate display panels in-house, and will proceed only after a proof has been accepted.
- If desired, THVT will contract with a sign maker, and supply the frame and sign, with brackets attached, ready for an easy assembly.
 - If desired, THVT will supply only the frame and mounting brackets for the sign.
- Stretching length of unit to wider than 3' will incur an additional fee to modify the design.

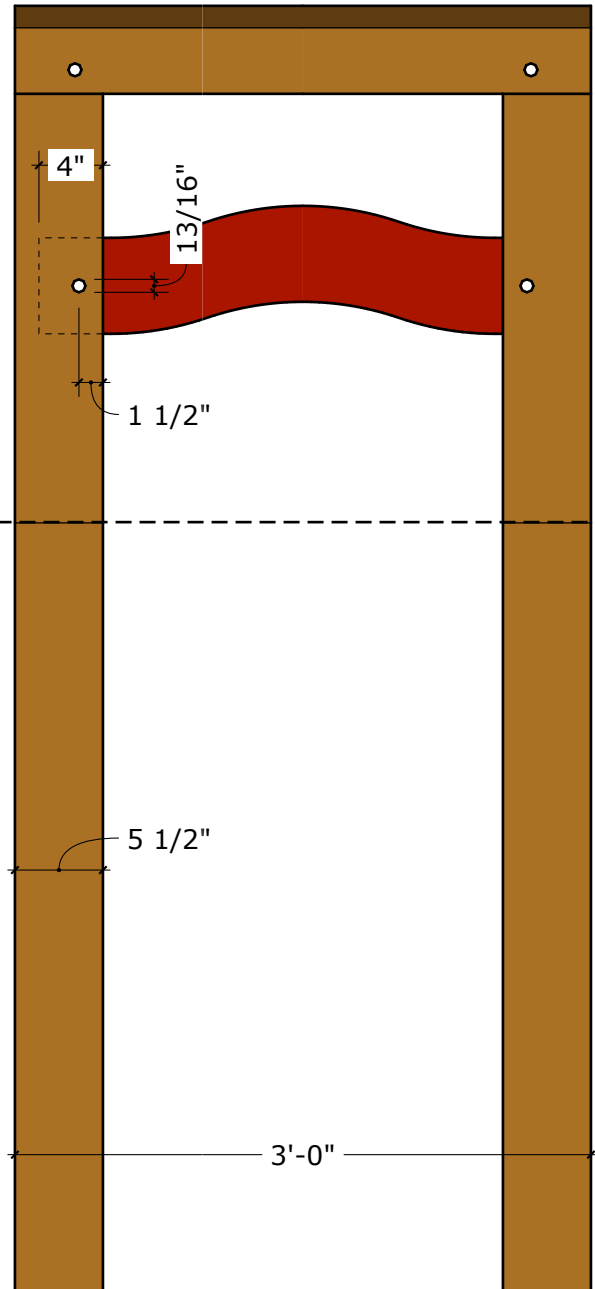
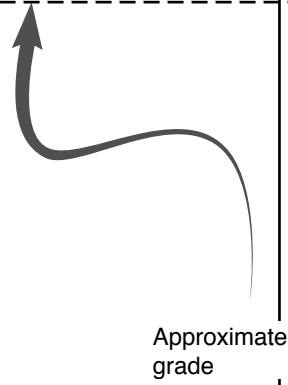
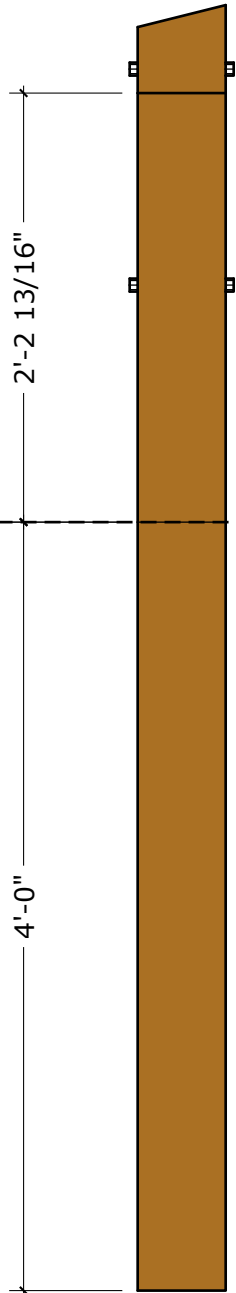
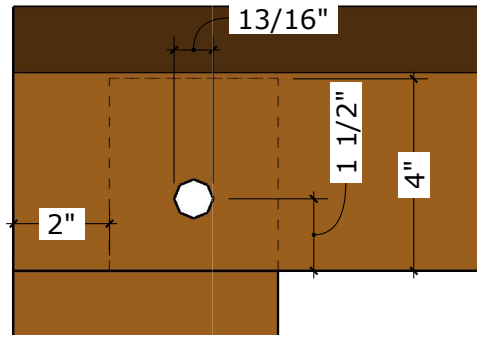
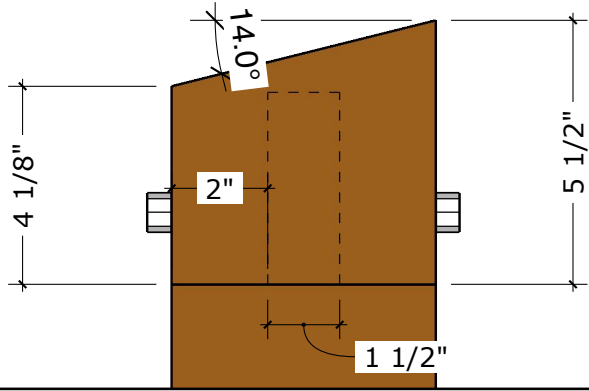
Installation:

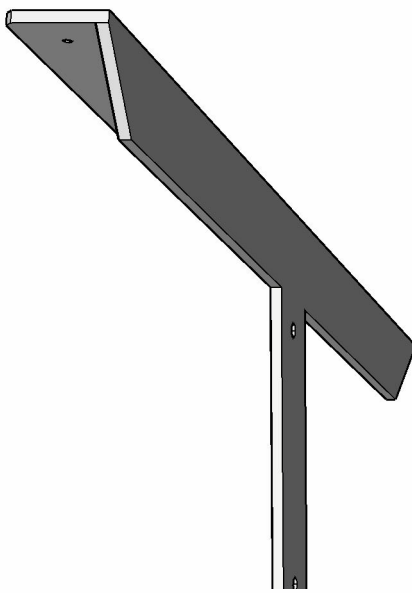
- As part of the purchase, THVT will supply installation directions, which will include a clear center-to-center post dimension for excavation purposes
- We strongly recommend installing 12"x4' sonotubes at the post locations; install the posts into the tubes and backfill with clean gravel

For photos and more information, visit our website: www.timberhomesllc.com/kiosks

Prices are for pickup in Montpelier or Vershire, Vermont. Delivery quotes upon request.
Site preparation and installation are NOT included in unit cost.

TimberHomes Vermont | 21 Fork Road | Montpelier, VT 05602
Contact: info@timberhomesllc.com, (802) 685-7974
Made in Vermont by a Worker-Owned Company





For each Unit we need
2 brackets, a left and a
right.

Material to be 1/4"
Stainless Steel with all
edges softened and
corners chamfered as
shown to avoid cutting
hazard.

